

**1** FILLET RADII AND SURFACE FINISH NOT APPLICABLE TO THIS DRAWING

UNLESS OTHERWISE SPECIFIED DIMENSIONS AND TOLERANCES ARE IN INCHES. INTERPRET DIMENSIONS PER ASME Y14.5-2009. DO NOT SCALE THIS DRAWING. BREAK ALL SHARP EDGES .010 MAX. FILLET RADII .005 MAX. SURFACE FINISH:  $\sqrt{1}$

TOLERANCES ARE:		
FRACTIONS	DECIMALS	ANGLES
$\pm 1/32$	.X $\pm$ .1	$\pm 0.5^\circ$
	.XX $\pm$ .03	
	.XXX $\pm$ .010	

Unit Weight (Nominal / Max)	Nominal: 20 lb / Max: 23 lb
Power, Input	Nominal: 120-240VAC
Power, Cord	NEMA 5-15P to IEC, length 6 feet minimum
Mounting Provisions	Front and side mounting provisions as shown in Figures 1 and 3. Include rack rail slide kit for 1U case as shown in Figure 5.
Connector(s)	Rear (See Figure 4 for approximate location) 3 – USB 2.0 (or better) minimum 1 – Full size display port minimum 1 – RJ45 Gigabit Ethernet minimum 1 – IEC Power
Cooling Air	Fans shall draw air from front of the LRU and exhaust hot air out the rear of the chassis.
Environmental Requirements	Operating Temperature: 0 to +50°C Storage Temperature: -40 to +60°C Operating Altitude: Up to 10,000 feet Humidity Operating: 5% to 95% Non-Condensing Non-Operating: 5% to 90% Transportation: 5% to 95%

Power Supplies	200W power supply with 80+ Gold efficiency rating (or equivalent)
Drive Configuration	512GB SATA SSD or better  Manufacturer: NA Qty: 1
Processor	Intel Core i5-9500, (6 Core 9MB Cache, 3.0GHz) or better  Manufacturer: Intel Qty: 1
Memory	16GB (2x8GB) DDR4 2666MHz Non-ECC Memory or better

MTBF (Mean Time Between Failure)	20,000 Hours, Minimum
Nameplate Identification	Each LRU shall have a permanent nameplate that, as a minimum, contains the following information: <ul style="list-style-type: none"> <li>▪ Manufacturer</li> <li>▪ Product Name &amp; Model Number</li> <li>▪ Part Number</li> <li>▪ Serial Number</li> <li>▪ Manufacture Date (month/year)</li> <li>▪ Modification Status Block</li> </ul>

Windows 10 Pro 64-bit Operating System
Red Hat Enterprise Linux WS v7 Operating System

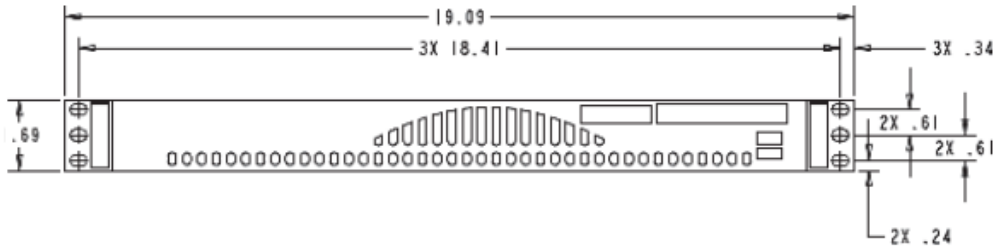


Figure 1 Front View

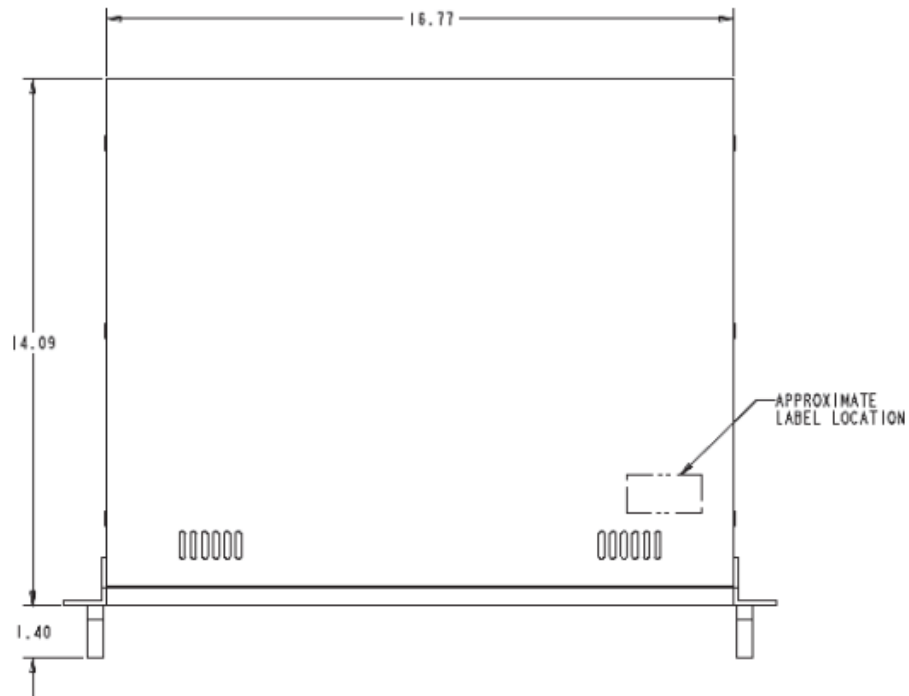


Figure 2 - Bottom View, Mounting Features

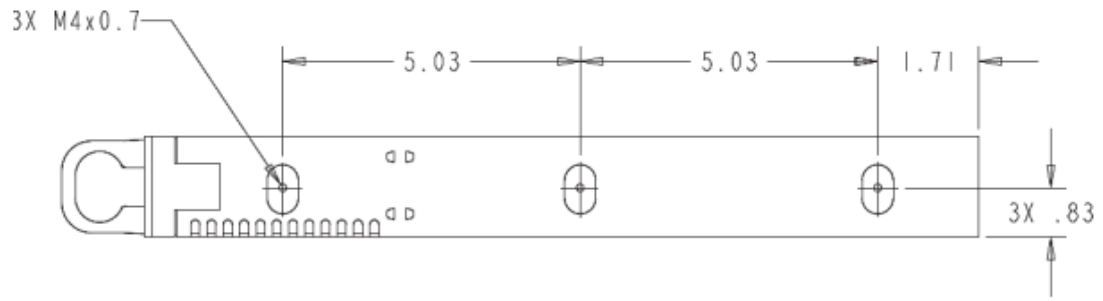


Figure 3 – Side View



Figure 4 - Rear View (Reference Only)

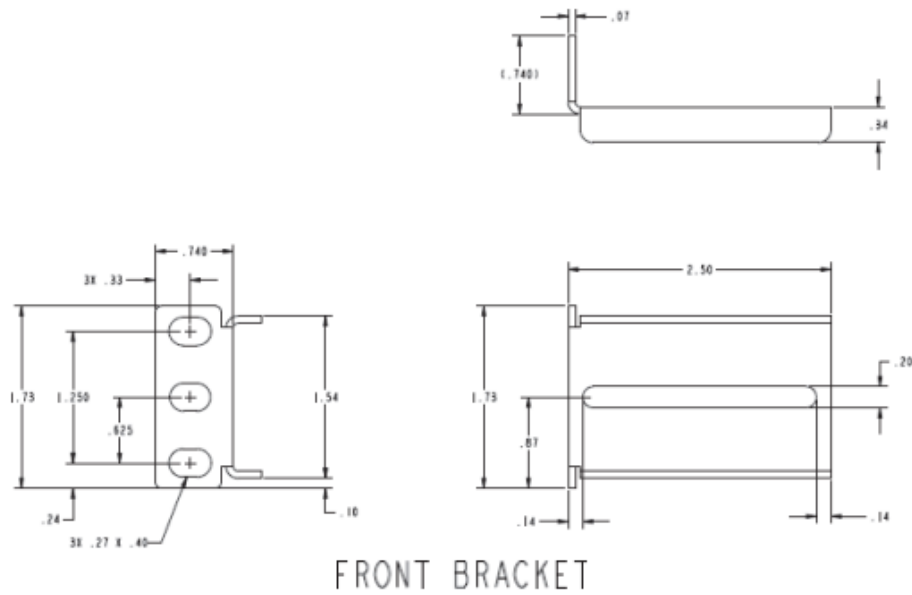


Figure 5 - Rack Rail Slide Kit